

# Technical data sheet



## Product features

### Boiling kettle gas indirect 100 l

<b>Model</b>	<b>SAP Code</b>	00012283
--------------	-----------------	----------



- Device type: Gas unit
- Device heating type: Indirect
- Ignition: Piezo+večný plamen
- Steam pressure regulation: Mechanical - the valve releases steam at high pressure
- Filling: Mechanical cock
- Jacket filling: Semi-automatic
- Drain: Yes
- Drain valve diameter: 2"
- Basin volume [l]: 100
- Usable volume [l]: 96

<b>SAP Code</b>	00012283	<b>Type of gas</b>	Natural gas, propane butane
<b>Net Width [mm]</b>	800	<b>Basin volume [l]</b>	100
<b>Net Depth [mm]</b>	900	<b>Usable volume [l]</b>	96
<b>Net Height [mm]</b>	900	<b>Device heating type</b>	Indirect
<b>Net Weight [kg]</b>	140.00	<b>Steam pressure regulation</b>	Mechanical - the valve releases steam at high pressure
<b>Power gas [kW]</b>	22.500		

# Technical data sheet



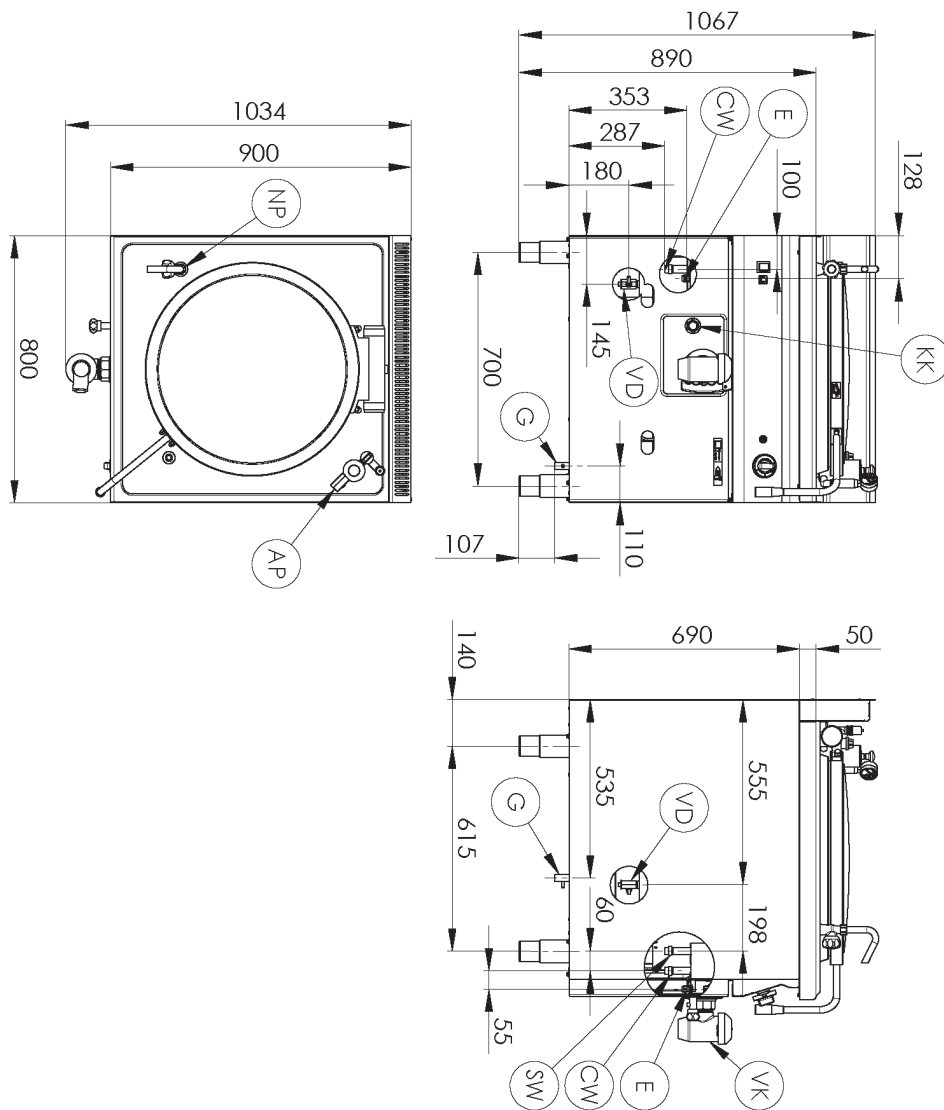
Technical drawing

Boiling kettle gas indirect 100 l

Model

SAP Code

00012283



### Boiling kettle gas indirect 100 l

Model

SAP Code

00012283

1

#### Safety element – thermocouple

safe service for staff  
there is no unnecessary gas leakage  
long life

- savings on service interventions
- easier and faster operation

2

#### Semi-automatic tolerance

maintenance-free system  
the absence of a probe that can become calcified  
long life

- savings on service interventions
- avoidance of losses due to interruption of plant operation

3

#### Degree of protection of the control elements IPX4

maintenance-free system  
resistance to splash water  
long life

- savings on service interventions
- easy cleaning and maintenance of equipment

4

#### Smart handle

protection against scalding when lifting the lid  
easy handling to operate at any height

- high security
- fewer health problems caused by poor ergonomics

5

#### Duplicator bottom AISI 316

protection against scalding when lifting the lid  
easy handling to operate at any height

- savings on service interventions
- avoidance of losses due to interruption of plant operation

6

#### All-stainless design including bottom

the material does not rust, including the bottom  
wear resistance of AISI 304 material  
long life

- savings on service interventions
- easy cleaning and maintenance of equipment

7

#### Top pressed plate

it prevents overflowing liquid from running into the controls or onto the operator's feet

- eliminates problems with possible malfunctions
- increases user comfort

# Technical data sheet



## Technical parameters

### Boiling kettle gas indirect 100 l

Model

SAP Code

00012283

**1. SAP Code:**

00012283

**2. Net Width [mm]:**

800

**3. Net Depth [mm]:**

900

**4. Net Height [mm]:**

900

**5. Net Weight [kg]:**

140.00

**6. Gross Width [mm]:**

970

**7. Gross depth [mm]:**

840

**8. Gross Height [mm]:**

1160

**9. Gross Weight [kg]:**

163.00

**10. Device type:**

Gas unit

**11. Construction type of device:**

With substructure

**12. Power gas [kW]:**

22.500

**13. Ignition:**

Piezo+večný plamen

**14. Type of gas:**

Natural gas, propane butane

**15. Protection of controls:**

IPX4

**16. Material:**

AISI 304 top plate, AISI 430 cladding

**17. Drain valve diameter:**

2"

**18. Worktop type:**

Molded - comfortable cleaning maintenance

**19. Worktop material:**

AISI 304

**20. Worktop Thickness [mm]:**

1.50

**21. Device heating type:**

Indirect

**22. Basin volume [l]:**

100

**23. Maximum device temperature [°C]:**

105

**24. Service accessibility:**

Trough the frontal panel

**25. Safety thermostat:**

Yes

**26. Adjustable feet:**

Yes

**27. Bottom material:**

AISI 316

**28. Usable volume [l]:**

96

# Technical data sheet



Technical parameters

## Boiling kettle gas indirect 100 l

Model

SAP Code

00012283

### 29. Filling:

Mechanical cock

### 30. Jacket filling:

Semi-automatic

### 31. Steam pressure regulation:

Mechanical - the valve releases steam at high pressure

### 32. Type of drain valve:

conical

### 33. Overflow:

Yes

### 34. Manometer:

Yes

### 35. Water filling type:

Cold

### 36. Drain:

Yes

### 37. Connection to a ball valve:

1/2

### 38. Water supply connection:

1/2"